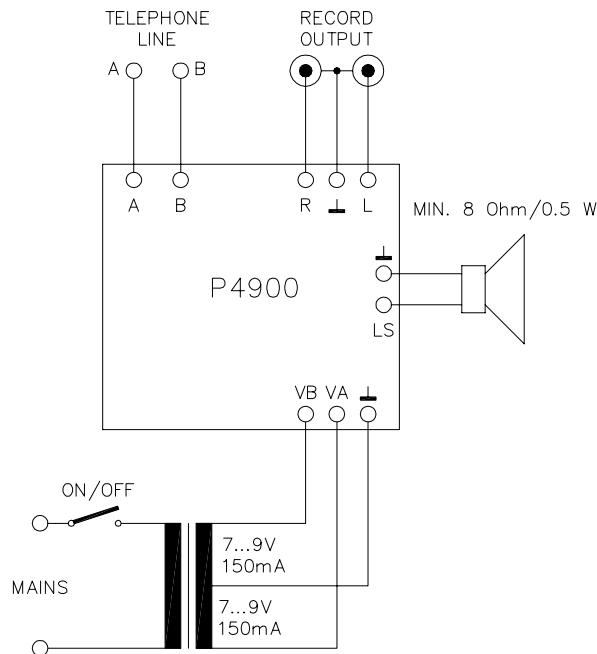


Connection diagram of the telephone amplifier as stand alone unit.

K4900



Power supply of 9 to 12VDC



Power supply of 2x7 to 2x9VAC

